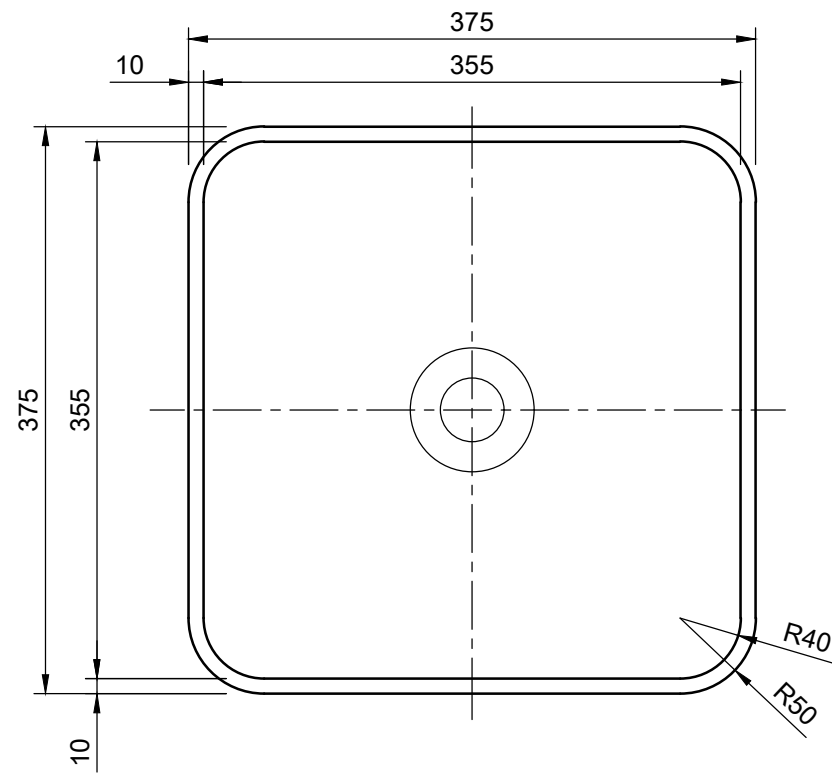
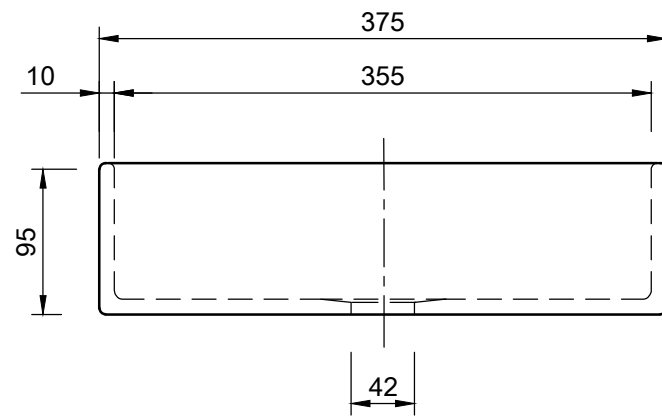
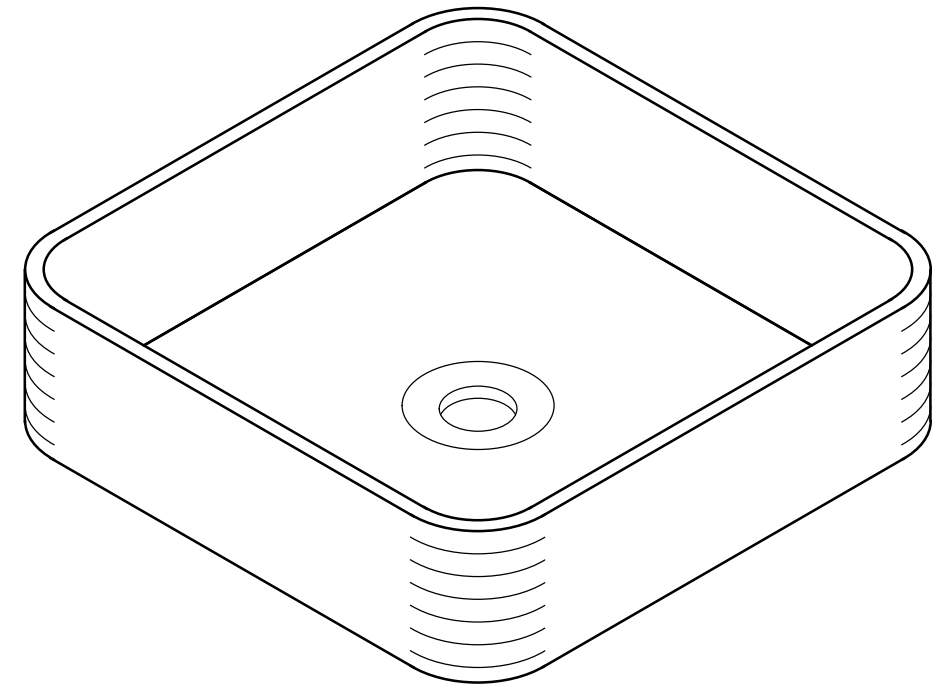


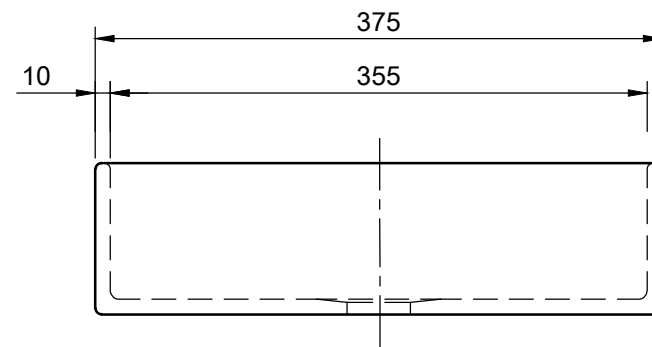
DO NOT SCALE



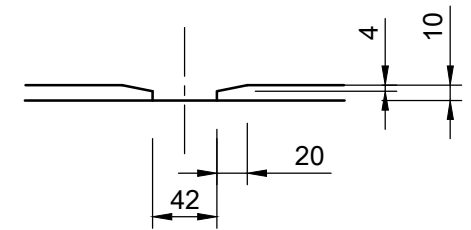
PLAN



FRONT ELEVATION



SIDE ELEVATION



PLUG HOLE DETAIL

MATERIAL - CONCRETE
WEIGHT - 9 kg

SQUARE - BASIN

FOR CONSTRUCTION

DIMENSIONS IN MILLIMETERS

REV	REVISION	BY	DATE
B	ISSUED FOR CONSTRUCTION	TLD	15.07.21
A	ISSUED FOR APPROVAL	TLD	08.07.21



Concrete Republic Pty Ltd
Workshop Address: 16 Naughton Ave, North Geelong. Victoria
ABN: 80 621 646 839
Email: admin@concreterepublic.com.au
Phone: 0477 885 526

TITLE			
SPOOLA - SQUARE BASIN			
DRAWN	CHECKED	DRAWING No.	
T.L.DIRCKS		CR210708-04	
DATE	SCALE		
08.07.21	NTS	REV.	B